

Female Style 1/2 R High Temperature

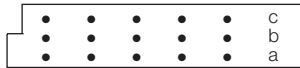
Series 8577 – 3 rows (3 x 16) Inverted



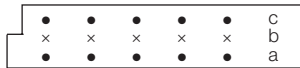
Contact Design and Termination Length	Number of Contacts	Loading Description	Part Number Performance classes according to DIN 41612	
			II	I
0.6 x 0.6 mm Post Profile 3.0 mm (Y) Right Angled	48	a + b + c fully loaded	20 8577 048 002 025	20 8577 048 002 049
	32	a + c fully loaded	20 8577 048 002 026	20 8577 048 002 050
	16	a + c even loading	20 8577 048 002 033	20 8577 048 002 057
	16	a loading only	20 8577 048 002 027	20 8577 048 002 051

NB: Alternative Prefix Variations Available: 26, please refer to Page 10.
 Additional Plating & Loading Variations: Please contact your local AVX sales office or distributor.

LOADING DESCRIPTION



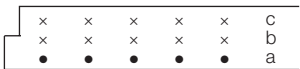
48 contacts, rows a + b + c fully loaded



32 contacts, rows a + c fully loaded

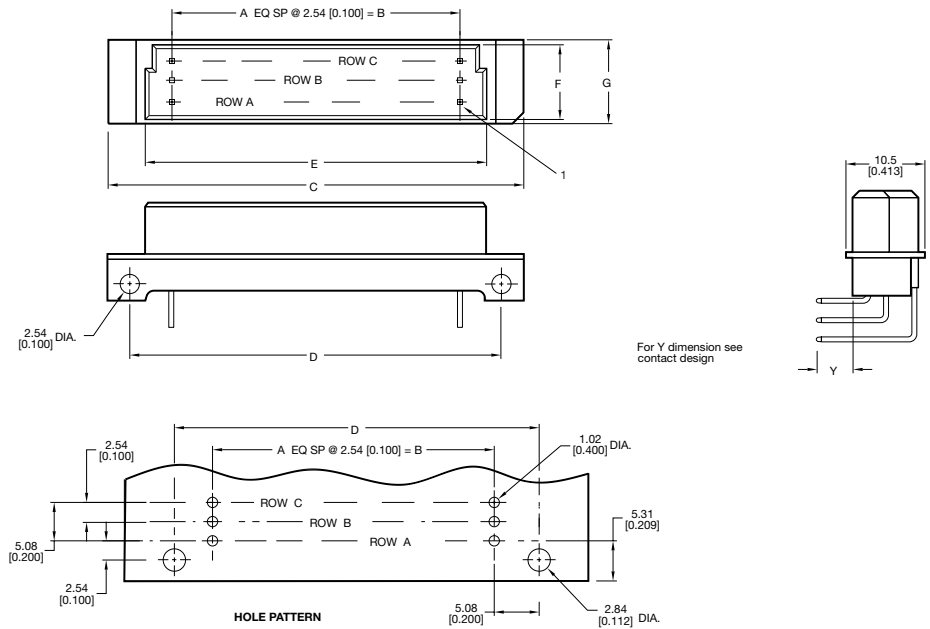


16 contacts, rows a + c even loading



16 contacts, rows a loading only

DIMENSIONS



Unit: millimeters (inches)

No. Contact Positions	Contact Rows	A	B	C	D	E	F	G
48	3 (3 x 16)	15	38.10 (1.500)	53.90 (2.122)	48.26 (1.900)	44.30 (1.744)	8.48 (0.334)	10.50 (0.413)